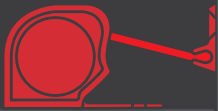


WINDOW & DOOR HARDWARE



RB ARCHITECTURAL
HARDWARE

the best way to
 **open**
& close

WINDOW & DOOR HARDWARE

Strand hardware Ltd supplies high quality window and door hardware for commercial buildings sourced from top European manufacturers and from its own locally manufactured range. Products are sold primarily through leading industry wholesalers and architectural ironmongers to whom Strand offers first class customer service and technical support from experienced industry professionals.

This catalogue illustrates the complete range of high quality window and door products available from Strand Hardware. It includes products designed and manufactured in the UK, which have been identified throughout the catalogue with the "Made in Britain" logo alongside other products designed and engineered in collaboration with European partners.

CONTENTS

Specifying Window hardware	2
Which window hardware do you need?	3
Strand Duoflex	4-5
Strandflex Folding Openers	6-7
Lokkit Window Stays	8-9
Strand Window Control System	10
Friction Stays	11-13
Finger Protection Devices	14-20
Door Selectors	21
Automatic Door Seals	22-23
Electric Strikes	24-25
Door Holders / Accessories	26-27
Product Finishes	28



SPECIFYING WINDOW HARDWARE

Strand folding openers are suitable for top hung outward opening and centre pivot outward opening sashes up to approximately 3m from finished floor level.

Windows approximately 3m from finished floor level, or above, or in a deep reveal at lower levels, may be unsuitable for opening devices operated by pole. For these windows we recommend manual or electric window gear (See our Strand Window Control Systems catalogue).

WHICH FOLDING OPENER DO I NEED?

The following points need to be considered when selecting a folding opener:

- Number of windows requiring openers.
- Window material: Is the window metal, timber or PVC-U construction?
- Window sash and frame dimensions: Is there sufficient material to physically allow the folding opener to be fitted?
- The opening window width and height.
- Are the windows at a height from the floor that will allow operation by hand or will it require pole operation?

ANY SPECIAL FEATURES?

- Is a folding opener with a particular opening needed? These are often referred to as the stroke or throw.
Note: a folding opener with 150mm throw will only allow approximately 100mm opening due to the sash clearing the frame by 50mm.
- Are the openers required to fold through 90° to avoid interference with things such as window blinds?

GENERAL GUIDE TO OUR FOLDING OPENER RANGE

Windows up to approximately 500mm wide	Windows over approximately 500mm wide
We suggest a single folding opener may be suitable for windows of this width, these include:	We suggest two or more folding openers joined by a link bar, these include:
DUOFLEX Single opener. Suitable for operation by hand or pole with the use of a centre ring and X028 crank pole.	DUOFLEX Two or three openers with a link bar depending on sash width. Suitable for operation by hand or pole with the use of a centre ring, extension piece and X028 crank pole.
STRANDFLEX RANGE Hand operation only, all except WX8076T can be turned 90°.	STRANDFLEX RANGE Maximum of two openers at a lower level for hand operation only. Will require the use of both hands to open and close.
Q1008 & Q1009 LOKKIT Suitable for hand or pole hook operation (not supplied).	Q2008 & Q2009 Two openers with either a 300, 600 or 900mm link bar. Suitable for hand or pole operation with the use of a centre ring and X028 crank pole.

* Note: Pole operation for high level or hard to reach windows



WHICH WINDOW HARDWARE DO YOU NEED?

Window Detail	Strand Duoflex Folding Openers			Strandflex Folding Openers		Lokkits		Strand Manual System	
	STRDUO1	STRDUO2	STRDUO3	WX4160T WX8160T WX8260T	WX4160P WX5180P	Lokkit Stay	Double Lokkit Kit	Strand Manual	Strand Electric
Windows above 3m, in a deep reveal or hard to reach								✓	✓
Top hung opening out	✓	✓	✓	✓	✓	✓	✓	✓	✓
Side hung opening out								✓	✓
Bottom hung opening in								✓	✓
Small light bottom hung opening in								✓	✓
Small light top hung opening out	✓	✓	✓	✓	✓	✓		✓	✓
Centre pivoted	✓	✓	✓	✓	✓	✓	✓	✓	✓
Top hung opening out in roof pitch									✓
Window up to approx 500mm wide	✓	✓	✓	✓	✓	✓		✓	✓
Window over approx 500mm wide	✓	✓	✓				✓	✓	✓
Fold back feature to avoid vertical or horizontal blinds				✓	✓				
Metal (aluminium, steel) window		✓						✓	✓
Timber window	✓			✓		✓	✓	✓	✓
PVC-U (plastic) window			✓		✓			✓	✓
Suitable for pole operation	✓	✓	✓			✓	✓		

The above is intended as a guide only and individual product information should be consulted for greater detail.
For pole operation of the Duoflex when used with 2 or 3 openers, a link bar and a centre ring should be fitted.

STRAND DUOFLEX

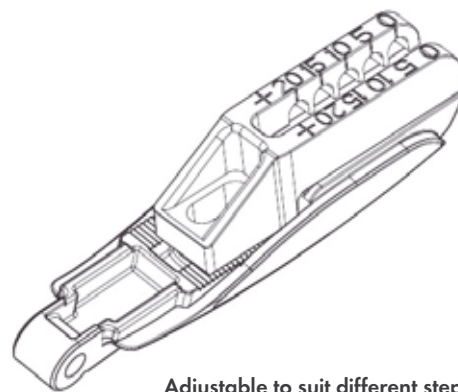


Application

- > Top hung, opening out windows.
- > Opening out sashes made from Timber, Aluminium, Steel and PVC-U. (no fixing screws supplied).

Description

- > Stylish design and simple to adjust to accommodate different steps.
- > With an adjustable body - No need for packers.
- > 150mm throw, folding action to open and close sash.
- > Over centre design means opener 'locks' securely into place when window is closed.
- > Link bars available in various lengths depending on sash width.



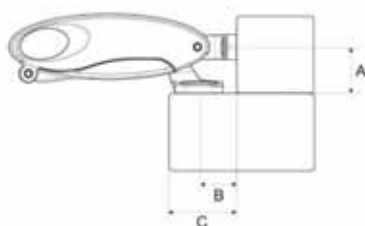
Adjustable to suit different steps

Technical Data

- > Cycle tested to over 100,000 operations.
- > Patent Approved GB2490896.

STRDU01 Recessed

- > For Timber frames

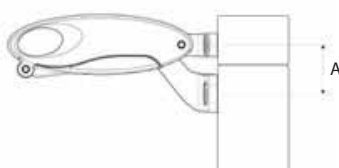


A = Fixing centre to frame 25mm
 B = Fixing centre to Sash 19mm
 C = Minimum frame width required 38mm



STRDU02 Flush

- > For Aluminium or Steel frames

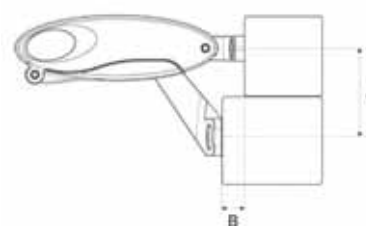


A = Distance between fixing centres 29mm
 Step (see B to the right) 0-10mm can be accommodated



STRDU03 Stepped

- > For PVC-U frames



A = Distance between fixing centres 48mm
 B = Step from face of sash to face of frame 16mm
 Step 0-26mm can be accommodated





Depending on size of the window one, two or three openers may be required:

- Single opener: Sash width up to 500mm.
- Two openers plus link bar (comes with end caps) for sash width 600mm to 900mm.
- Three openers plus link bar (comes with end caps) for sash width 900mm to 1500mm.
- We recommend that the link bar is approximately 2/3 to 3/4 of the sash width.

Other Points:

- Link bar will divide the opening gap in half which means that the opening will effectively become approximately 75mm which is well within the guidelines for 2nd storey and higher windows.
- A minimum sash height of 250mm is required where butt hinges are fitted or 400mm where friction hinges are used.
- Pole operated openers are not recommended for windows above 3m from finished floor level or where windows are in a deep reveal.

Options:

- Link bar STRBA (Standard link bar sizes: 300mm, 600mm, 900mm, 1000mm, 1200mm).
- Centre ring STRX02 may be used.
- Pole operation for high level windows;
 - 1 metre - X02801011
 - 1.5 metre - X02801511
 - 2 metre - X02802011



Pole Operator

Note:

To use pole with a single opener please order STRX02 centre ring and extension piece.

Finishes



Silver Grey (EPS) 20



Satin stainless steel plated (SSSP) 44



Polished Brass Plated (PBP) 43



White (EPW) 25



STRANDFLEX FOLDING OPENERS

Strandflex folding openers are designed to be used on smaller sized sashes, where one opener is required for hand operation. For larger sashes use linked folding openers (see page 4 for Duoflex).



WX4160P: PVC-U Windows * 1 * 2
WX4160T: Timber Windows * 1 * 3

Application

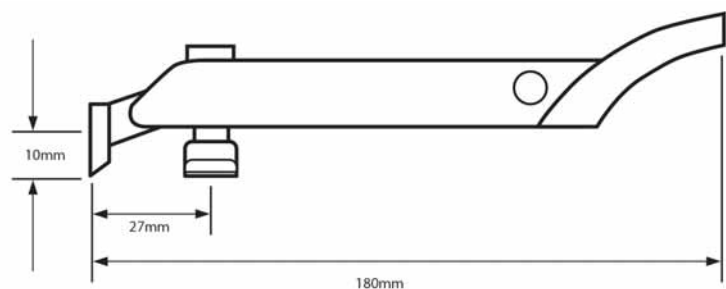
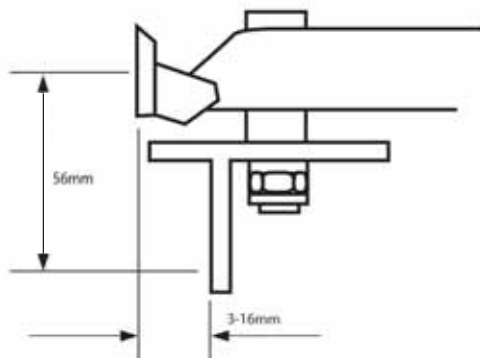
- Top hung, opening out sashes made from Timber and PVC-U.
- 90° fold back feature permits use on windows with vertical/horizontal blinds.
- Recommended screws 4.0 x 30mm.

Description

- 160mm throw, folding action to open and close sash with additional 90° rotation.

Materials	Finishes
Stainless steel/ wear resistant polyacetate	*1 Stainless steel/black plastic pull 14
Steel/wear resistant polyacetate	*2 Powder coated white/white plastic pull 25 *3 Powder coated grey/grey plastic pull 20

WX4160P



WX4160T



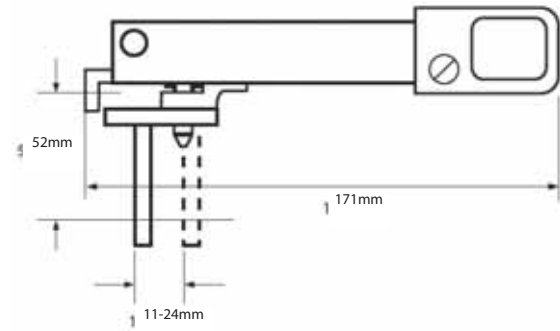
WX5180

Application

- Top hung opening out sashes made from PVC-U, timber and aluminium.
- 90° fold back feature permits use on windows with vertical/horizontal blinds
- Recommended screws 4.0 x 30mm

Description

- 180mm throw folding action to open and close sash with additional 90° rotation



WX5180P illustrated

Materials	Finishes
Satin Anodised Aluminium (SAA) / Wear resistant	Satin Anodised Aluminium (SAA)/ Black plastic ring pull 11.

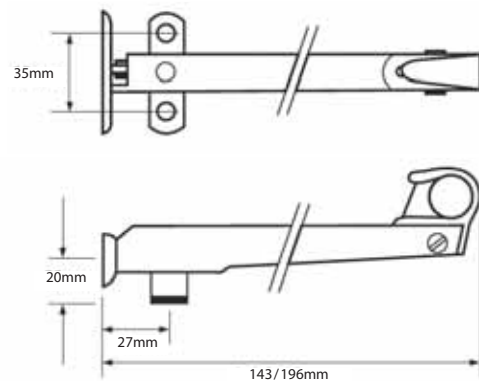
WX8160T: 160mm throw WX8260T: 260mm throw

Application

- Top hung opening out sashes made from Timber
- 90° fold back feature permits use on windows with vertical/horizontal blinds
- Recommended screws 4.0 x 30mm

Description

- 160 mm & 260mm throw folding action to open and close sash with additional 90° rotation



WX8160T / WX8260T

Materials	Finishes
Stainless Steel/ wear resistant Polyacetate	Satin Stainless Steel / Black Plastic pull 14

LOKKIT WINDOW STAYS

Q1008 Recessed & Q1009 Flush

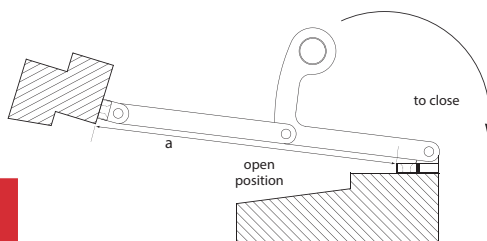
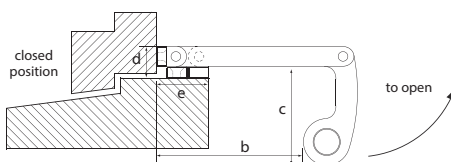
Application

- Small top hung opening out timber sashes with recessed (Q1008) or flush (Q1009) fixing brackets

Description

- Known as over centre or quadilent stays
- Available with 125mm or 175mm throw to hold the sash in open position.
Includes eye for operation with pole hook

Q1008

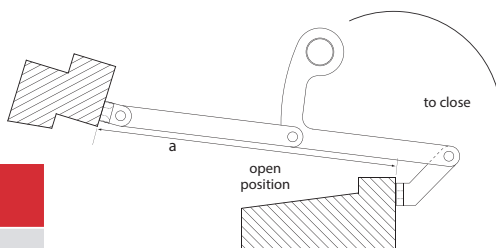
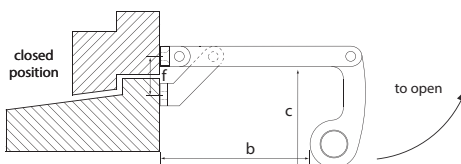


	Q1008-1	Q1008-2
a	125	175
b	57	83
c	60	60
d	20	20
e	33	33

All dimensions in mm (approx.)

Materials	Finishes
Solid Brass	Polished Brass (PB) 40 Satin Chrome plated (SCPB) 32
Aluminium / Mazak	Silver powder coated (EPS) 20 White powder coated (EPW) 25

Q1009



	Q1009-1	Q1009-2
a	125	175
b	69	95
c	60	60
f	28	28

All dimensions in mm (approx.)

Materials	Finishes
Aluminium / Mazak	Silver powder coated (EPS) 20 White powder coated (EPW) 25





Q2008 Recessed Lokkit Kits Q2009 Flush Lokkit Kits

Application

- Top hung opening out timber sashes with recessed or flush fixing brackets

Description

- Consists of a modified pair of Q1008/Q1009 lokkits with a square link tube which can be cut to size on site. (NB. Standard Q1008/Q1009 lokkits do not fit the link bar)
- Centre ring X02 can be used for pole operation provided internal window boards allow it - this is an extra cost item please specify when ordering



Variants	
Q2008 Recessed: 125mm throw	
Part No.	Link Bar
Q2008-31	300mm
Q2008-61	600mm
Q2008-91	900mm
Q2008 Recessed: 175mm throw	
Q2008-32	300mm
Q2008-62	600mm
Q2008-92	900mm
Q2009 Flush: 125mm throw	
Q2009-31	300mm
Q2009-61	600mm
Q2009-91	900mm
Q2009 Flush: 175mm throw	
Q2009-32	300mm
Q2009-62	600mm
Q2009-92	900mm

Materials	Finishes
Aluminium / Mazak	Silver powder coated (EPS) 20

Other colours available to order, please contact us to enquire.



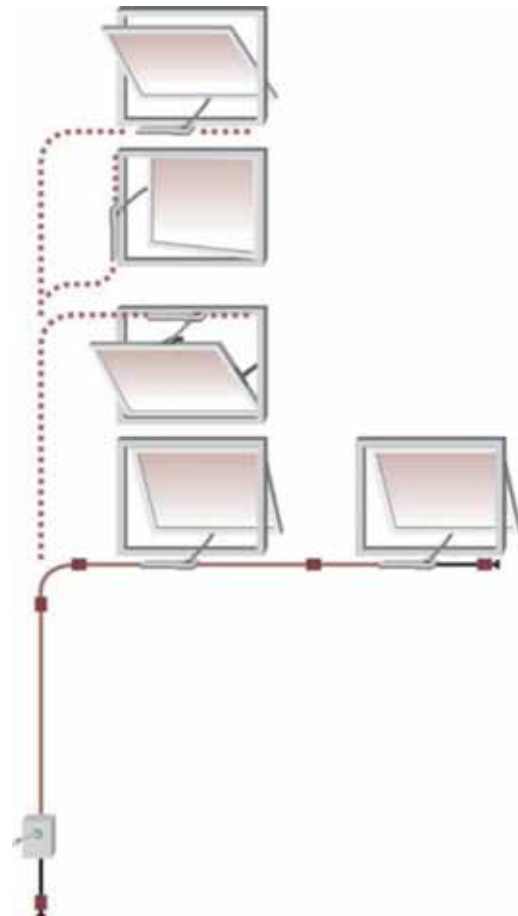
STRAND WINDOW CONTROL SYSTEM

BEFORE ORDERING THE FOLLOWING INFORMATION IS REQUIRED:

1. Do you require a manual or electrical system?
2. Window information:
 - A. Dimensions.
 - B. Material.
 - C. Glazing.
 - D. Type of hinges.
 - E. Hinge position.
3. Window positions:
 - A. Number of windows.
 - B. Distance of operating handle to opening sash (Sketch required).
4. If electrical system, do you require:
 - A. 24vDC or 230vAC.
 - B. Manual or Automatic.

For manual or electrical systems butt hinges are preferred. If fiction hinges are fitted, ensure the friction element is removed to allow free movement.

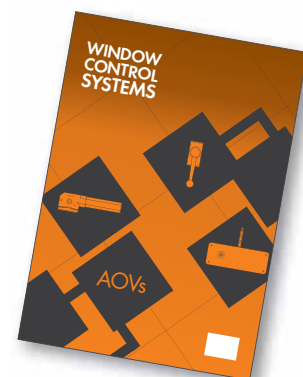
A sketch of the windows and layout will allow your needs to be easily identified and will allow specifying to be more accurate.



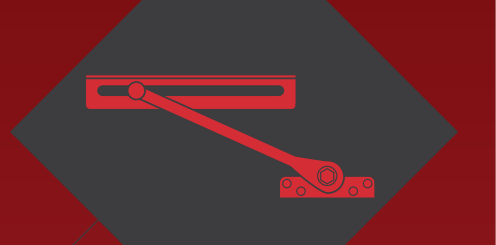
STRAND MANUAL SYSTEM

Description	Product code	Description	Product code
Chain opener 250mm	S100	Conduit Saddles	S600
Chain opener 380mm	S150	Spring Stop	S700
Locking opener	S175	Brass Nut	S720
Operator MAXI new style	S210	Bracket for Aluminium Vent	S740
Operator MIDI	S250	Bracket for PVC-U Vent	S750
Operator MINI	S300	Bracket for Timber Vent	S760
Rotary Junction Box	S350	Conduit connector	S800
Conduit 3 metre length	S400	Bottom Hung Fixing Kit	S850
Square Vent Travel Tube	S410	Conduit Tool	S900
Conduit Plug	S420	Bend Former	S950
Inner Cable per metre	S450		

A separate Strand Window Control Systems catalogue is available. Please refer to our website or contact us to request a copy.



FRICTION STAYS



Telescopic Sliding Friction Stays

Application

- Controlled opening of outward opening windows
- Standard (01) fixing brackets to suit most applications

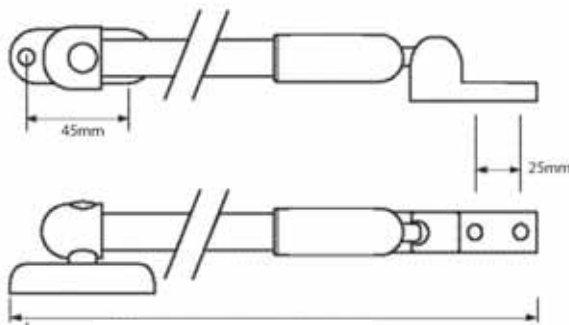
Description

- Fully adjustable friction by rotating plastic ferrule
- W4621 & W5621 to suit light doors

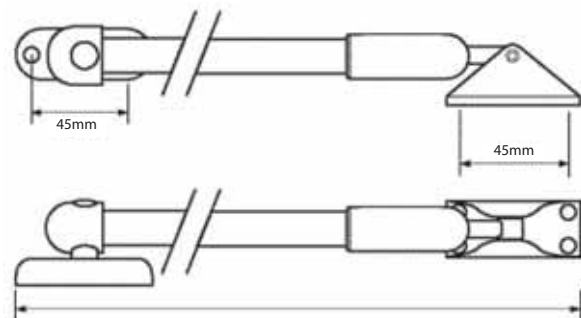


Variants	
Part No.	Overall: closed and extended
W1621-01	240mm min, 315mm max
W2621-01	350mm min, 475mm max
W3621-01	375mm min, 533mm max
W4621-01	516mm min, 767mm max
W5621-01	545mm min, 885mm max

Materials	Finishes
Powder coated Steel/ Plastic Ferrule Steel tube Nylon friction block with adjustment mechanism	Silver Grey powder coated (EPS) 20 White powder coated (EPW) 25



W1621-01 240mm min - 315mm max
W2621-01 350mm min - 475mm max



W3621-01 375mm min - 533mm max
W4621-01 516mm min - 767mm max
W5621-01 545mm min - 885mm max

FRICTION STAYS

D7095 Adjustable friction restraining stay, surface mounted

Application

- Timber, Steel and Aluminium outward opening windows or light doors.
- Easy to fit onto door face (no fixing screws supplied).



Description

- Allows opening between 90°-100° depending on positioning of head fixing plate and extrusion
- Size: Standard length = 513mm overall (extrusion 485mm, can be reduced by 25mm maximum)

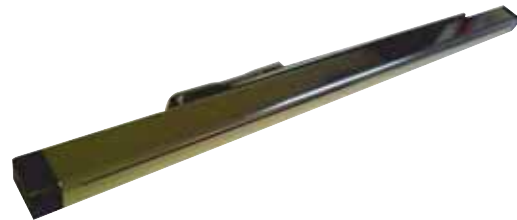
Materials	Finishes
Aluminium extruded channel with steel arm and fixing plate. Nylon friction block with adjustment mechanism strong buffer spring. Grey ABS end caps for SAA extrusion.	D7095-01-57 SAA extrusion with Zinc/Yellow passivated arm. D7095-01-35 SAA extrusion with bright Chrome plated arm. D7095-01-43 SAA extrusion with Brass plated arm. D7095-01-14 SAA extrusion with Satin Stainless Steel plated arm.

Other RAL colours available. Please contact us to enquire.

D7096 Adjustable friction restraining stay, surface mounted

Application

- Timber, Steel and Aluminium outward opening windows or light doors.
- Easy to fit onto door face (no fixing screws supplied).



Description

- Allows opening between 90°-100° depending on positioning of head fixing plate and extrusion
- Size: Standard length = 513mm overall (extrusion 485mm, can be reduced by 25mm maximum)

Materials	Finishes
Aluminium extruded channel with steel arm and fixing plate. Nylon friction block with adjustment mechanism strong buffer spring. Black ABS end caps for plated extrusion.	D7096-01-35 Bright chrome plated extrusion and arm. D7096-01-43 Brass plated extrusion and arm. D7096-01-14 Satin Stainless Steel extrusion and arm. D7096-01-63 Bronze plated extrusion and arm (special order).

Other RAL colours available. Please contact us to enquire.





Friction mortice restraining stay

D6095-01 495mm version
D6095-02 395mm version



Application

- Timber, Aluminium, PVC-U windows or light doors
- Morticed into top edge of door (no fixing screws supplied).

Description

- Allows opening between 70°- 110° depending on positioning of head fixing plate and channel
- Some PVC-U profiles may require a packer to support arm fixing plate
- Size: Standard length: D6095-01 = 495mm, D6095-02 = 395mm

Materials	Finishes
Aluminium extruded channel with steel arm and fixing plate Nylon friction block with adjustment mechanism- strong buffer spring	D6095-01-57 or D6095-02-57 SAA extrusion with Zinc/Yellow passivated arm. D6095-01-35 or D6095-02-35 SAA extrusion with Bright chrome plated arm. D6095-01-43 or D6095-02-43 SAA extrusion with Brass plated arm. D6095-01-14 or D6095 02-14 SAA extrusion with SSS plated arm.

Friction limiting stay surface mounted

D7107

Application

- Timber, Aluminium, Steel outward opening doors.
- No fixing screws supplied.

Description

- Face mounted stay allows door opening to be limited around 90°
- Variable friction mechanism can be adjusted by rotating hexagonal bolt



Materials	Finishes
Iron castings with steel angle plate	Matt black powder coated (EPB) 01 Silver powder coated (EPS) 20 Gold powder coated (EPG) 26

Other RAL colours available. Please contact us to enquire.



FINGER PROTECTION DEVICES

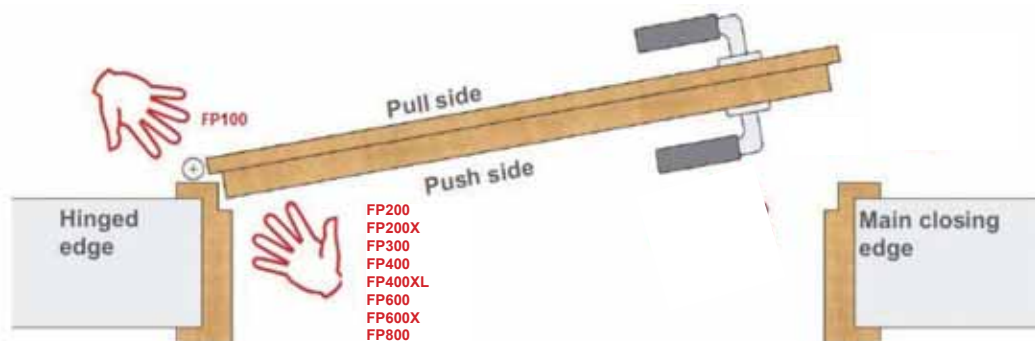
Finger protectors are an economical safety measure to prevent the accidental trapping of fingers between the hinged edge of the door and the door frame; they can be fitted easily and quickly to new or existing doors



Strand Hardware offer a comprehensive range of finger protectors:

- FP100 Covers the hinge pin side of the door 1800mm.
- FP200 Standard 1925mm length (max 2500mm)
BS 8613:2017 Finger Protection for Pedestrian doors
- FP200X Special 2015mm length
EN BS 16005:2012 Power Operated Pedestrian Doors
- FP300 Glass door applications
Standard 1925mm (max 2500mm)
- FP400 Concealed fixings (260mm fabric travel)
BS 8613:2017 Finger Protection for Pedestrian Doors
- FP400XL Extended 320mm fabric travel
Concealed fixings
Standard 1925mm length (max 2500mm)
- FP600 Clip on version
Standard 1925mm length (max 2500mm)
- FP600X Special 2015mm length
Clip on version
EN BS 16005:2012 Power Operated Pedestrian Doors
- FP800 Sterile Environments / External use
Can be steam cleaned
Standard 1925mm length (max 2500mm)

BS 8613:2017 Finger Protection for Pedestrian Doors is a new British standard which addresses a need by providing specifiers; architects/designers; health & safety and risk assessment professionals; and facility managers with guidance on the selection of appropriate finger protection products to prevent entrapment at the hanging stile of doors.





FP100



Application

- Fitted to most single action doors including automatic doors
- Can be fitted to new doors and retrofitted to existing doors

Description

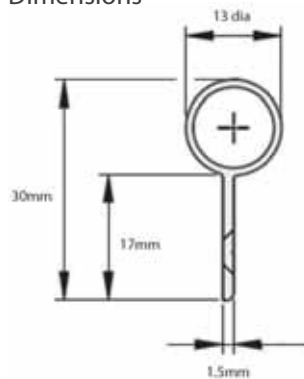
- Designed to be fitted with our roller system finger protectors preventing finger trapping on the hinge pin side of the door (where the small gap is when the door is open- see drawing)
- Supplied in 1.8 metre lengths predrilled and countersunk which can be cut to size and fitted between, above and below hinges
- Suitable for standard 13mm diameter hinges
- Supplied with self-adhesive tape to assist with fitting

Finish options

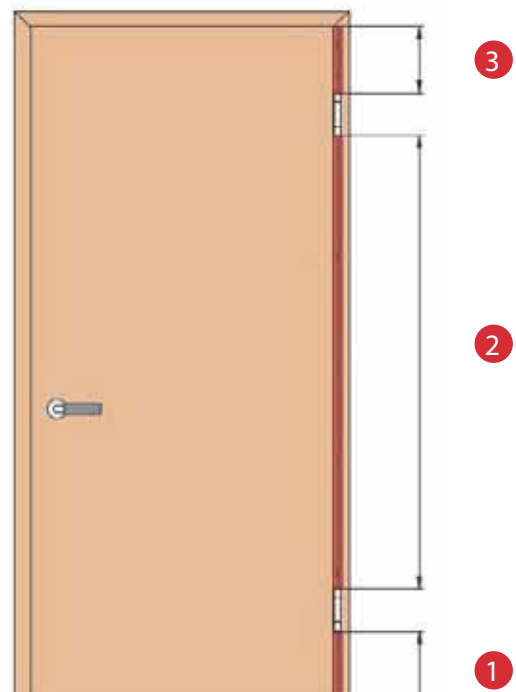


Satin Anodised Aluminium (SAA)

Dimensions



Application



FINGER PROTECTION DEVICES

FP200

Application

- Suitable for most single and double action doors including automatic doors
- Roller system finger protection.

Description

- Provides effective protection against fingers being accidentally trapped on the hinge side of the door
- Strong fire retardant fabric material is kept under constant tension and is designed to cover the gap between the door and frame automatically when the door is opened
- Features an easy clean aluminium housing

Technical Data

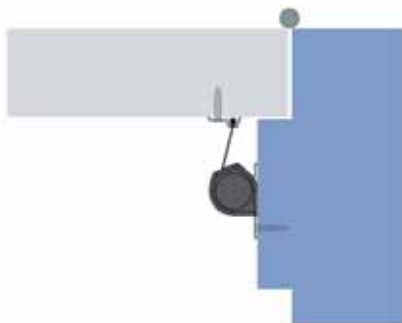
Roller system specifications:

- Cycle tested to 1,000,000 operations
- Maximum length: 2500mm
- Standard length: 1925mm
- Minimum length: 325mm
- Maximum fabric travel: 260mm
- Suitable for use on 60min fire doors
- Class 2 - BS 8613:2017 Finger Protection for Pedestrian Doors
- EN16654:2015 Child Protection Products

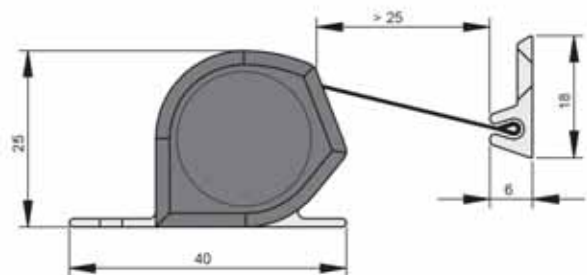
FP200X

- Standard length: 2015mm
- EN16005 compliant for automatic doors
- Maximum fabric travel: 260mm

Application



Dimensions



Fabric colour

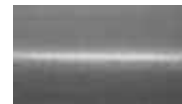


Black

Housing finish options



White (RAL 9016)



Satin Anodised
Aluminium (SAA)



Dark Bronze
Anodised (DBA)

RAL colour match available on
request (POA). Please contact
us to enquire.

Awarded German Safety Mark and certified to EN16654





FP300

Application

- Suitable for most single and double action doors including automatic doors
- Roller system finger protection
- For glass doors

Description

- Provides effective protection against fingers being accidentally trapped on the hinge side of the door
- Special model for fitting to glass doors

Technical Data

Roller system specifications:

- Cycle tested to 1,000,000 operations
- Maximum length: 2500mm
- Standard length: 1925mm
- Minimum length: 325mm
- Maximum fabric travel: 260mm
- Mounted with acrylate-foam high performance tape

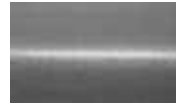


Fabric colour



Black

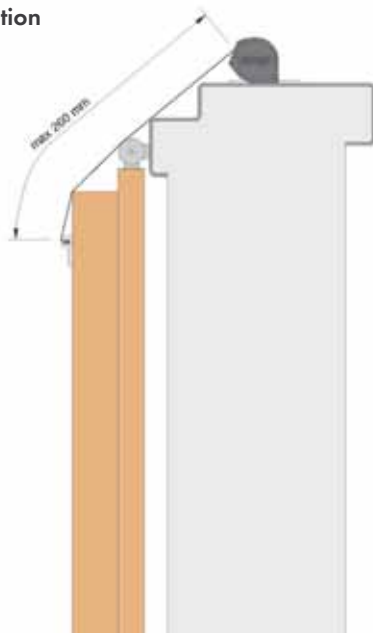
Housing finish options



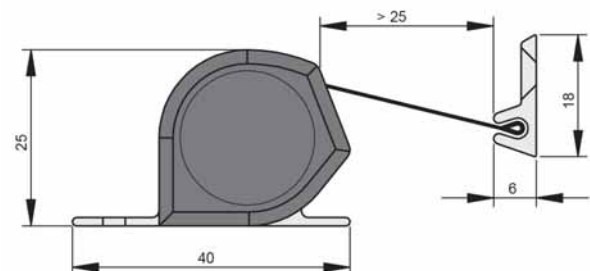
Satin Anodised Aluminium (SAA)

RAL colour match available on request (POA). Please contact us to enquire.

Application



Dimensions



Awarded German Safety Mark and certified to EN16654



FINGER PROTECTION DEVICES

FP400

Application

- Suitable for most single and double action doors including automatic doors
- Roller system finger protection.

Description

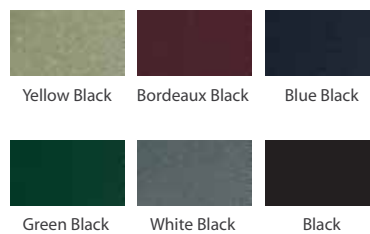
- Provides effective protection against fingers being accidentally trapped on the hinge side of the door
- Strong fire retardant fabric material is kept under constant tension and is designed to cover the gap between the door and frame automatically when the door is opened
- The housing is designed to conceal screws when in the closed position
- Features an easy clean aluminium housing
- Standard finishes: Satin Anodised Aluminium (SAA), White (EPW) or Dark Bronze (DB) with black fabric. Other options detailed below to special order

Technical Data

Roller system specifications:

- Cycle tested to 1,000,000 operations
- Maximum length: 2500mm
- Standard length: 1925mm
- Minimum length: 325mm
- Maximum fabric travel: 260mm
- Suitable for use on 60min fire doors
- Class 2 - BS 8613:2017 Finger Protection for Pedestrian Doors
- EN16654:2015 Child Protection Products

Fabric finishes for the FP400



Housing finish options for the FP400



White (RAL 9016)



Satin Anodised Aluminium (SAA)



Satin Stainless Steel (SSSP)



Traffic Red powder coated (RAL 3020)



Moss Green powder coated (RAL 6005)



White Aluminium powder coated (RAL 9006)



Stone Grey powder coated (RAL 7030)



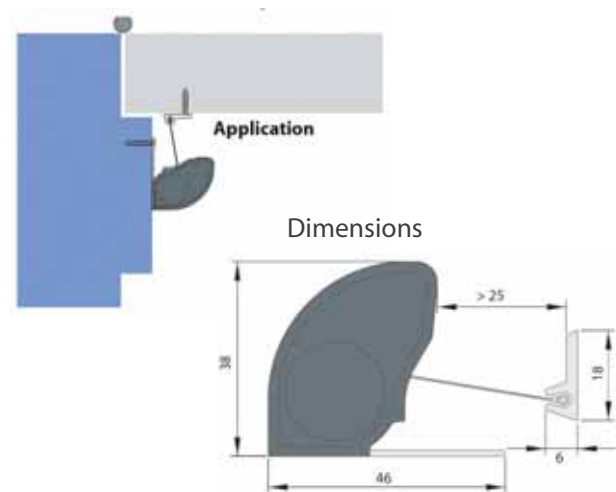
Anthracite Grey powder coated (RAL 7016)

RAL colour match available on request. Please contact us to enquire.



Roller system specification: FP400 XL

- Designed for situations where a wider gap needs to be covered.
- Fabric only available in black
- Fabric extension length: 320mm
- Maximum length: 2500mm
- Standard length: 1925mm
- Minimum length: 325mm



Awarded German Safety Mark and certified to EN16654





FP600

Application

- Suitable for most single and double action doors including automatic doors.
- Internal and External use (specify when ordering).

Description

- Easy to fit tamper proof CLICK system.
- Provides effective protection against fingers being accidentally trapped in the hinge side of the door.
- Strong fire retardant fabric kept under constant tension covering the gap between the door and frame automatically when door is opened and closed.
- Elegantly shaped cover caps.
- Ram protection available - deflection shield as additional protection (sold separately).

Technical Data

Roller system specifications:

- Cycle tested to 200,000 operations
- Maximum length: 2500mm
- Standard length: 1925mm
- Minimum length: 325mm
- Maximum fabric travel: 260mm

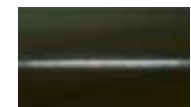


Housing finish options



Satin Anodised Aluminium (SAA)

Fabric colour

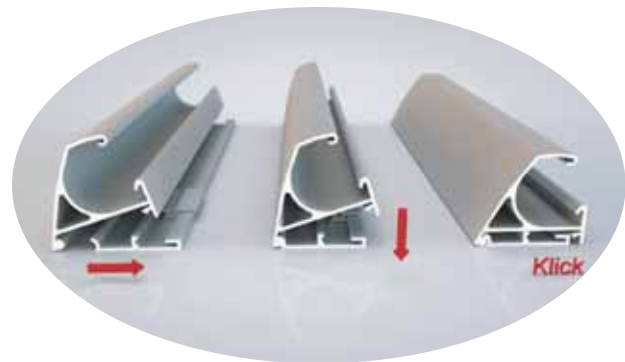


Black

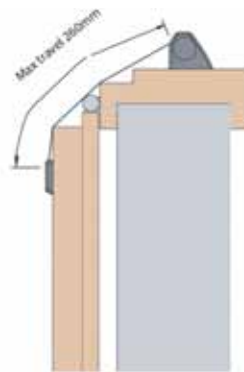
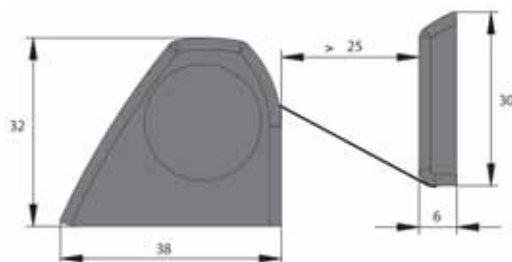
RAL colour match available on request. (POA) Please contact us to enquire.

FP600X

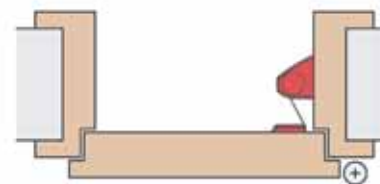
- Maximum length: 2500mm
- Standard length: 2015mm
- Minimum length: 325mm
- Maximum opening: 260mm
- For automatic doors
- Meets the requirements for EN16005 for automatic doors



Dimensions



Application



Awarded German Safety Mark and certified to EN16654



FINGER PROTECTION

FP800

Application

- Suitable for most single and double action doors including automatic doors
- Roller system finger protection
- Weather resistant for external use but can be used internally

Description

- Provides effective protection against fingers being accidentally trapped on the hinge side of doors
- Weather-proof: Resistant to: rain, snow, frost, foliage, dirt and UV light
Temperature range: -20 to +50 °C
- Robust Housing with increased wall thickness for extra durability
- Surface is wipeable and easy to clean
- Suitable for sterile environments as can be steam cleaned
- Concealed fixings
- Suitable for retrofitting

Technical Data

Roller system specifications:

- Cycle tested to 200,000 operations
- Maximum length: 2500mm
- Standard length: 1925mm
- Minimum length: 325mm
- Maximum fabric travel: 260mm



Fabric colour



Anthracite Grey (RAL 7016)

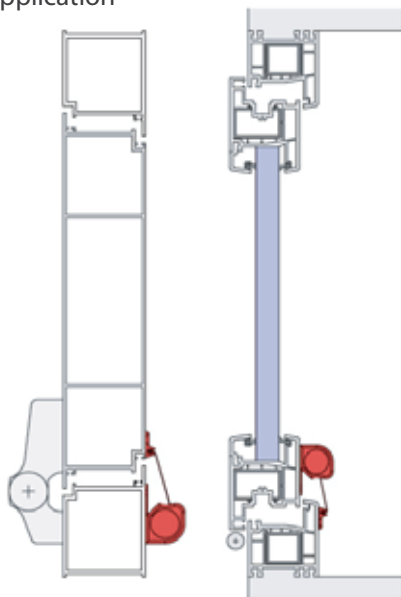
Housing colour



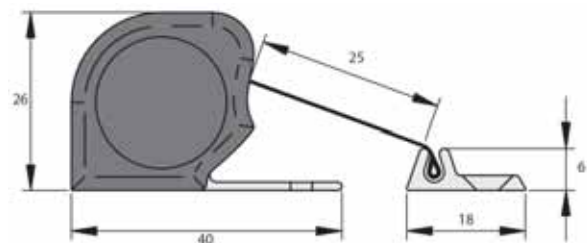
Satin Anodised Aluminium (SAA)

Other Anodised/RAL colours available.

Application



Dimensions



Awarded German Safety Mark and certified to EN16654



DOOR SELECTORS



DS9606 Fire Door Selector

Application

- Suitable for timber and metal doors in which successful fire tests have been incorporated and assessed to 120 minutes on both types of doors.
- Available with a 152mm or 202mm arm and extended rebate for thicker or wider doors (additional cost).

Description

- Proven mechanism enabling a pair of self-closing doors with rebated meeting stiles to close in the correct sequence, maintaining the fire resistant seal.
- Come fitted with: standard 102 adjuster arm, standard fire regulated rebate catch, lift arm, impact plates and fixing screws.

Certification

Tested to BS EN 1158: 1997, A1:2002 3553113 and CE marked 1121-CPD-AF 0004.



Materials	Finishes
Aluminium	Satin Stainless Steel Effect (SSS) Silver Anodised Aluminium (SAA) Black Anodised Aluminium (BAA) Gold Anodised Aluminium (GAA) Brass Effect Polished Chrome Effect

Other paint finishes are available upon request to standard RAL colours

DS9604 Door Selector

Application

- Suitable for timber doors with up to 25mm rebates.
- Available with a 152mm or 202mm arm for thicker or wider doors (additional cost).

Description

- Proven mechanism enabling a pair of self-closing doors with rebated meeting stiles to close in the correct sequence (Not fire regulated and comes with a tubular rebate catch).
- Come fitted with: standard 102 adjuster arm, tubular rebate (for standard double doors), lift arm, impact plates and fixing screws.

Certification

Tested to EN 1158: 1997 CE Certificate of Conformity available on request



Materials	Finishes
Aluminium	Satin Stainless Steel Effect (SSS) Silver Anodised Aluminium (SAA) Black Anodised Aluminium (BAA) Gold Anodised Aluminium (GAA) Brass Effect Polished Chrome Effect

Other paint finishes are available upon request to standard RAL colours



L-15/30 - 50dB double actuation

Application

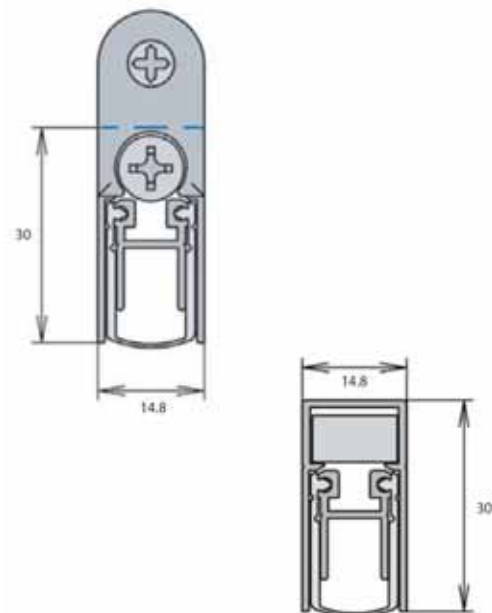
- Double actuation versions are reversible and used on single doors and the first opening leaf of a pair of doors
- Double actuation ensures that the seal drops evenly along its length and ensures a better seal
- Seals are suspended and secured by two angled brackets fixed to the edge of the door
- Omega models available to order and fixed into the bottom of the door with screws

Description

- Acoustic door seal with flexible chamber seal to effectively seal the gap underneath doors and protect against fire, smoke, heat, cold rain and noise
- Suitable for wheelchair access as no threshold strip is required
- Automatic levelling compensates for uneven thresholds, ensuring optimum sealing up to 14mm, ensuring a positive seal across the full width of the door, even at maximum sealing height
- Single chamber self-extinguishing silicone seal and internal sealing system improves thermal and acoustic performance

Technical Data

- Double actuation
- Minimum length: 708mm (cannot be reduced)
- Maximum length: 1600mm
- Standard lengths: 708mm, 833mm, 958mm, 1083mm, 1208mm
- Can be reduced by 125mm maximum on site
- Maximum sealing height: 14mm
- Automatic height and level compensation
- Extruded aluminium housing
- Tested to 50 dB sound reduction
- Integral flush lever bolt available (to special order)





L-15/30 - 50dB double actuation

Application

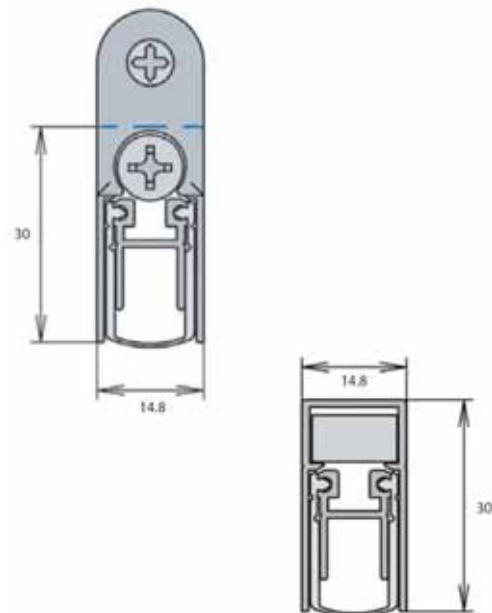
- Double actuation versions are reversible and used on single doors and the first opening leaf of a pair of doors
- Double actuation ensures that the seal drops evenly along its length and ensures a better seal
- Seals are suspended and secured by two angled brackets fixed to the edge of the door
- Omega models available to order and fixed into the bottom of the door with screws

Description

- Acoustic door seal with flexible chamber seal to effectively seal the gap underneath doors and protect against fire, smoke, heat, cold rain and noise
- Suitable for wheelchair access as no threshold strip is required
- Automatic levelling compensates for uneven thresholds, ensuring optimum sealing up to 14mm, ensuring a positive seal across the full width of the door, even at maximum sealing height
- Single chamber self-extinguishing silicone seal and internal sealing system improves thermal and acoustic performance

Technical Data

- Double actuation
- Minimum length: 708mm (cannot be reduced)
- Maximum length: 1600mm
- Standard lengths: 708mm, 833mm, 958mm, 1083mm, 1208mm
- Can be reduced to 125mm
- Maximum sealing height: 14mm
- Automatic height and level compensation
- Extruded aluminium housing
- Tested to 50 dB sound reduction
- Integral flush lever bolt available (to special order)



ELECTRIC STRIKES

PHEL4200: Fail Secure, comes with free passage lever

Application

- For use with typical PVC-U striker plates with 52mm centres

Description

- Voltage: 6 - 12v AC/DC
- Power Consumption: 0.5 - 0.8A
- Fully reversible and adjustable latch
- Limited release - Latch is released on electrical impulse and when power is discontinued the locking function automatically restores.
- Complete with manual override or free passage lever

Technical Data

- Tested to 300,000 cycles
- Holding Force: 400kg
- Dimensions: 69 x 21 x 29mm



*Please note this product is not IP rated.

PHEL4300: Fail Secure

Application

- For use with typical PVC-U striker plates with 52mm centres

Description

- Voltage: 6 - 12v AC/DC
- Power Consumption: 0.5 - 0.8A
- Fully reversible and adjustable latch
- Limited release - Latch is released on electrical impulse and when power is discontinued the locking function automatically restores

Technical Data

- Tested to 300,000 cycles
- Holding Force: 400kg
- Dimensions: 69 x 21 x 29mm



*Please note this product is not IP rated.



PHEL4412: Fail Safe

Application

- For use with typical PVC-U striker plates with 52mm centres

Description

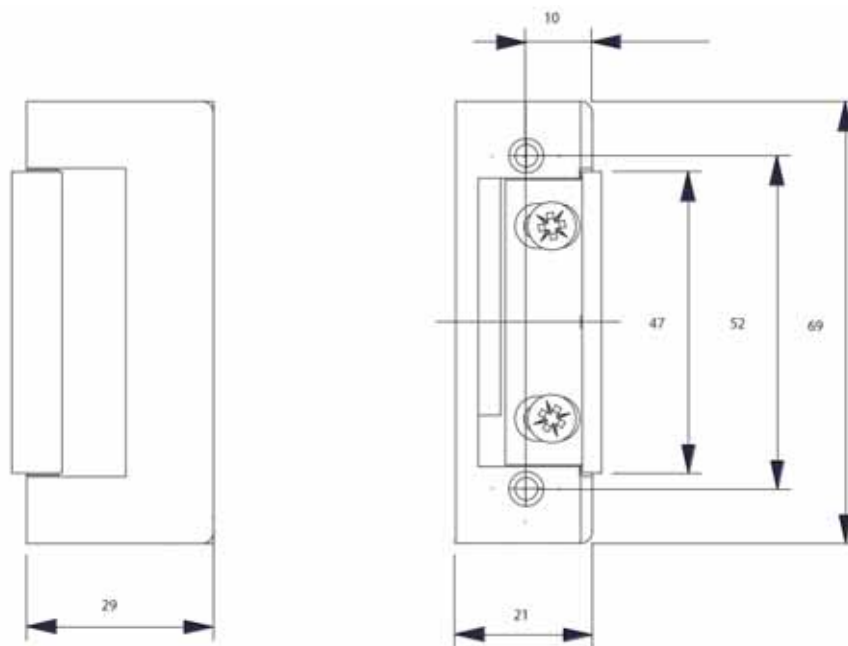
- Voltage: 12v DC
- Power Consumption: 0.25A
- Fully reversible and adjustable latch release - Latch is held in the locked position continuously and when power is discontinued the latch will release
- Locking function is restored when power is applied

Technical Data

- Tested to 300,000 cycles
- Holding Force: 400kg
- Dimensions: 69 x 21 x 29mm



*Please note this product is not IP rated.



DIMENSIONS OF PHEL4200 / PHEL4300 / PHEL4412

DOOR HOLDERS / ACCESSORIES

D700 & D800

Application

- Suitable for most types of inward or outward opening doors

Description








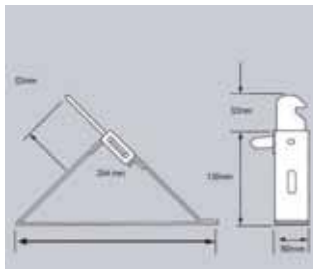
- Available for floor or wall mounting
- Holds door open by means of a hook and catch
- Supplied with a catchment plate which is fitted to the door leaf
- Holds door firmly in open position
- D8584 suits approximately 125° to 160° opening angles



Finishes

- Zinc plated steel (BZP) 37
- Stainless steel (SSS) 14

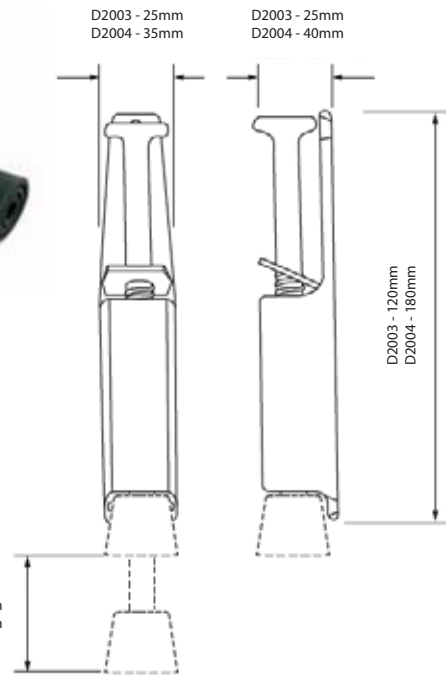
VARIANTS

D7174	D7274	D7374	D7474
Wall mounted (BZP) 37	Floor mounted (BZP) 37	Floor mounted (BZP) 37	Wall mounted (BZP) 37
			
D8184	D8284	D8584-01	D8584-02
Wall mounted (SSS) 14	Floor mounted (SSS) 14	LH wall mounted (SSS) 14	RH wall mounted (SSS) 14
			

*D700 and D800 should not be used on fire doors



D2003 Small door holder / D2004 Large door holder



Application

- For Timber, Aluminium or PVC-U doors

Description

- Doors can be held open at required position
- Foot operated spring loaded plunger allowing downward pressure of pedal to locate rubber foot on floor holding door open
- Foot operated auto release catch
- Dimensions: D2003 = 120mm / D2004 = 180mm

Materials	Finishes
Brass casting Steel Rubber	Polished brass (PB) 40 Satin Chrome plated on Brass (SCPB) 32

Exit Alert: EA1998-1 (Single door) /EA1998-2 (Double door)

Description

- Self-contained and self-powered security device
- Gives audible indication of unauthorised use of a protected door
- Versatile, reliable and easy to fit
- 97dB alarm is emitted when doors are opened
- Key operated override facility is incorporated into the front of the unit allowing authorised use of the door
- Options for instant or delayed alarm are built into the unit
- Injection moulded in red or green flame retardant polycarbonate
- 4 alternative magnetic reed positions so it can be fitted on left or right hand side or at the top of the door
- Double door version available (EA1998-2) including alarm unit, magnets and contacts allowing fitment to each leaf
- Dimensions 136(w) x 136(h) x 50mm(d)



PRODUCT FINISHES

Standard Finishes



Black



Silver Grey



White

Plated Finishes



Satin Stainless
Steel Plated

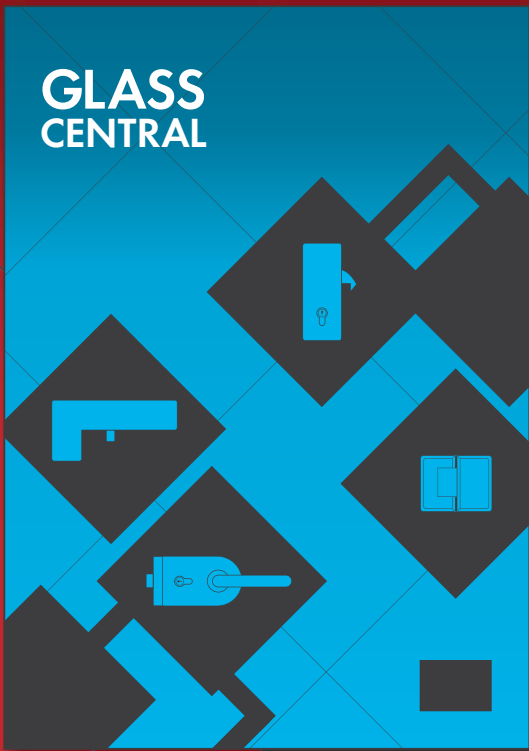


Brass Plated

Finish Code	Description	Finish Code	Description
SC (00)	Self-colour	EPGD (26)	Gold
EPB (01)	Black	SCPB (32)	Satin Chrome Plated Brass
PGAA (05)	Polished Gold Anodised	CP (35)	Chrome Plated
DBA (08)	Dark Bronze Anodised	BZP (37)	Bright Zinc Plated
PSAA (10)	Polished Silver Anodised	PB (40)	Polished Brass
SAA (11)	Satin Anodised Aluminium	BP (43)	Brass Plated
GAA (13)	Gold Anodised Aluminium	SSSP (44)	Satin Stainless Steel Plated
SSS (14)	Satin Stainless Steel	PSSP (55)	Polished Stainless Steel Plated
EPS (20)	Silver Grey	ZYP (57)	Zinc and Yellow Passivated
EPW (25)	White	BZD (63)	Bronzed

ADDITIONAL RANGES

GLASS CENTRAL



EMERGENCY EXIT & PANIC HARDWARE

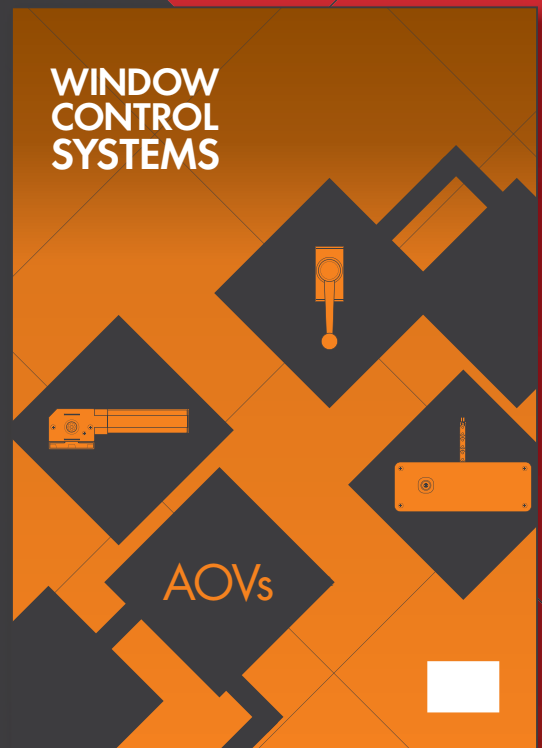


D-FINE



GRADE
316

WINDOW CONTROL SYSTEMS



AOVs

