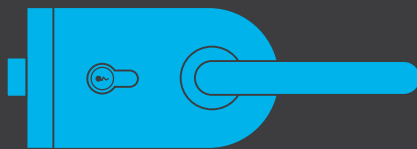
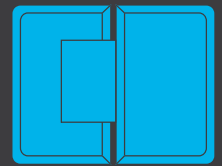


# GLASS CENTRAL



**RB** ARCHITECTURAL  
HARDWARE

the best way  
 **out**

# GLASS CENTRAL

Strand Hardware Ltd hold the exclusive UK distribution rights for the Preference range from Singapore. Preference have been manufacturing glass fittings for 25 years. Their P&M brand is the market leader in Singapore and they have considerable export sales in Australia, Asia, the Middle East and Europe. Preference design and manufacture their range and, with constant innovation behind the launch of new products, they maintain the highest quality to ensure their competitive edge in the market place.

Extensive stocks are held in Singapore to complement our UK stock holding to ensure minimum lead times. The range includes Patch fittings, Door handles and knobs, Locks and latches, Door Rails, Partitioning systems, Sliding door gear, Shower fittings, Magtec sliding door systems, Spider fixings, Standoffs and hydraulic self-closing hinges. For full details of their products, please visit their website [www.preference.com.sg](http://www.preference.com.sg)

The Glass Central product range is stocked at our premises based in Walsall, West Midlands, where we will also cut the door rails to your required sizes with delivery times to meet your requirements.

We aim to offer a first class service providing a high quality product, competitively priced, supported by experienced sales professionals and full technical back up.

## CONTENTS

Patch Fittings	2-4
Locks and Pivots	4-5
Strike Boxes	6-7
Door Rails 80mm-100mm	8
Floor springs and Partitioning	9
Lock/strike and Handles	10
Hydraulic Hinges	11
Typical Assemblies	12

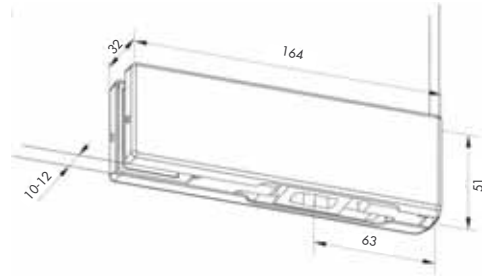
# PATCH FITTINGS

## PD10 Bottom Patch

- Complete with insert to suit our PD15 pivot or our TD800, Geze or Dorma equivalent floor spring.

**Finish** - Satin Stainless Steel (SSS)

**Material** - SUS304

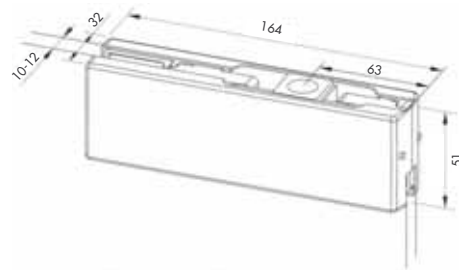


## PD20 Top Patch

- Complete with nylon insert to suit our 15mm dia PD24 Pivot.

**Finish** - Satin Stainless Steel (SSS)

**Material** - SUS304

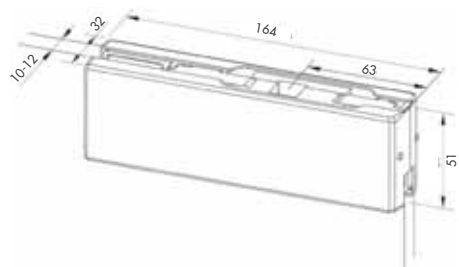


## PD22 Top Patch for Transom Closer

- Complete with insert to suit most standard square spindle transom closers.

**Finish** - Satin Stainless Steel (SSS)

**Material** - SUS304



Our standard fittings are designed to suit glass thicknesses of 10 or 12mm.

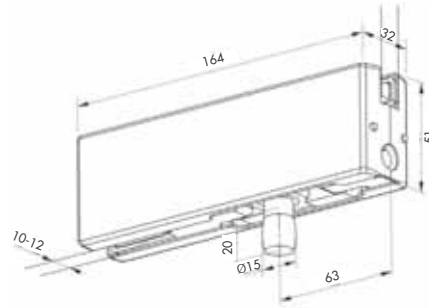


## PD30 Overpanel Patch

- Complete with 15mm dia pivot / Back plate and tapped hole at side.
- To suit PD20 top patch.

**Finish** - Satin Stainless Steel (SSS)

**Material** - SUS304

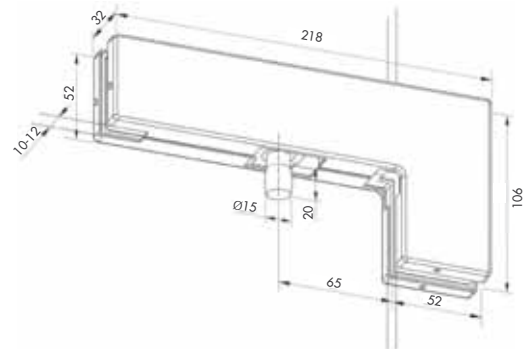


## PD40 Overpanel & Side Panel Patch

- Complete with 15mm dia pivot.
- To suit PD20 top patch.

**Finish** - Satin Stainless Steel (SSS)

**Material** - SUS304

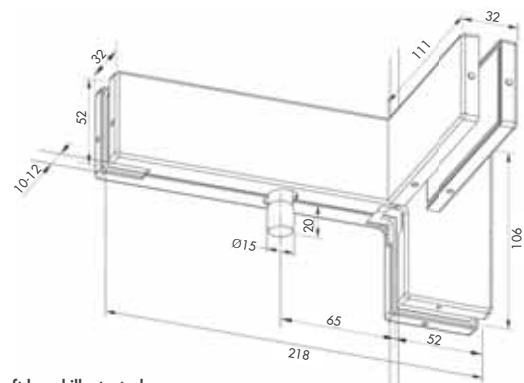


## PD41 Overpanel & Side Panel Patch

- Complete with 15mm dia pivot and Fin fitting attachment.
- To suit PD20 top patch.
- Options:  
PD41(LH) Left Hand / PD41 (RH) Right Hand.

**Finish** - Satin Stainless Steel (SSS)

**Material** - SUS304



(LH) Left hand illustrated

Our standard fittings are designed to suit glass thicknesses of 10 or 12mm.

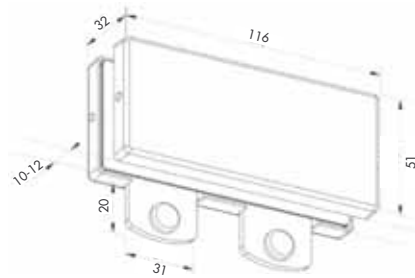
# PATCH, PIVOT & LOCK FITTINGS

## PD70DS Overpanel Patch

- Complete with 2 x Stop Inserts.

**Finish** - Satin Stainless Steel (SSS)

**Material** - SUS304

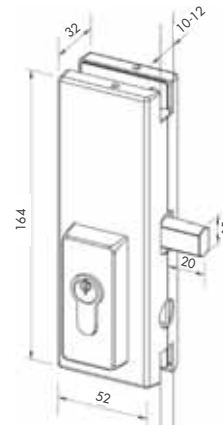


## US50 Centre Lock

- Complete with PL1 Patch Lock.
- To suit GK50 Strike Box.
- To suit Euro Profile Key Cylinder (Sold separately).

**Finish** - Satin Stainless Steel (SSS)

**Material** - SUS304



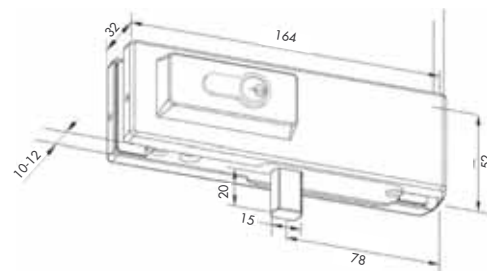
Cylinder not included

## PL50 Corner Lock

- Complete with PL1 Patch Lock.
- To suit Boat Keep EC9137 and Euro Profile Key Cylinder (Sold separately).

**Finish** - Satin Stainless Steel (SSS)

**Material** - SUS304



Cylinder not included

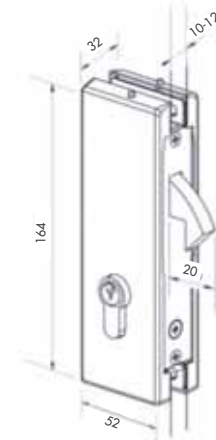
Our standard fittings are designed to suit glass thicknesses of 10 or 12mm.



## SL53 Hook Lock

- To suit SGK53 Strike.
- Euro Profile Cylinder included.

**Finish** - Satin Stainless Steel (SSS)  
**Material** - SUS304

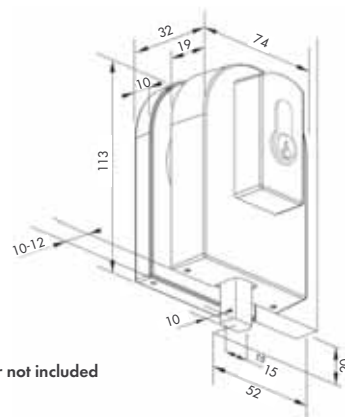


Cylinder included

## PL34 Lock Patch

- To suit Boat Keep (9137) and Euro Profile Cylinder (Both sold separately).

**Finish** - Satin Stainless Steel (SSS)  
**Material** - SUS304



Cylinder not included

### PD15

Floor Pivot

**Max Load** - 300kg

**Finish** - Satin Stainless Steel (SSS)

**Material** - Stainless Steel



### PD24

Top Pivot

**Dia** - 1.5mm Pivot

**Finish** - Satin Stainless Steel (SSS)

**Material** - Stainless Steel



### CYL40/55/60

Euro Profile Key Cylinder

C/w 3 x Keys

**Finish** - Satin Stainless Steel (SSS)

**Material** - Stainless Steel



### EC9137

Boat Keep

**Finish** - Satin Stainless Steel (SSS)

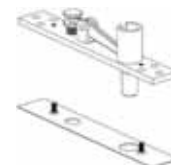
**Material** - Stainless Steel



### EC9116

Retractable Top Pivot

**Material** - Stainless Steel



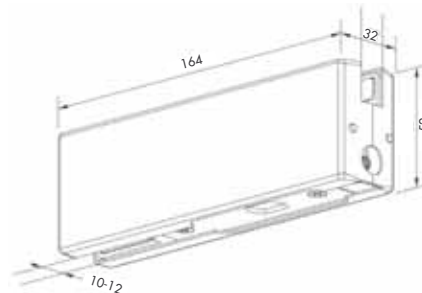
Our standard fittings are designed to suit glass thicknesses of 10 or 12mm.

# STRIKE BOXES

## GK30 Single Overpanel Strike Box

- Complete with Expansion Bolt (Back plate available on request).
- To suit PL50 Corner Lock.

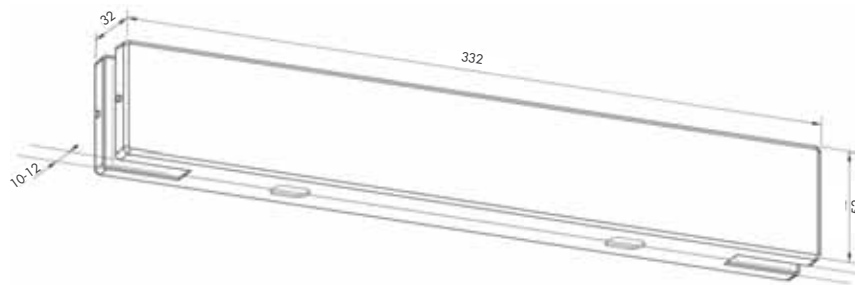
**Finish** - Satin Stainless Steel (SSS)  
**Material** - SUS304



## GK20 Double Overpanel Strike Box

- To suit PL50 Corner Lock.

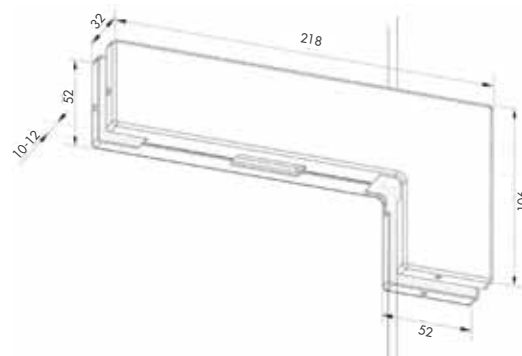
**Finish** - Satin Stainless Steel (SSS)  
**Material** - SUS304



## GK40 Overpanel & Side Panel Strike Box

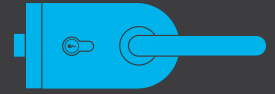
- To suit PL50 Corner Lock.

**Finish** - Satin Stainless Steel (SSS)  
**Material** - SUS304



Our standard fittings are designed to suit glass thicknesses of 10 or 12mm.

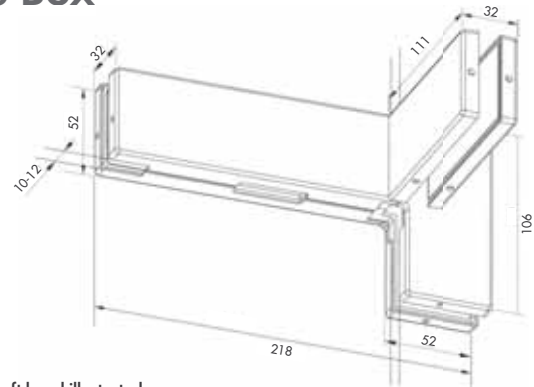




## GK41 Overpanel & Side Panel Strike Box

- Complete with Fin Fitting Attachment.
- To suit PL50 Corner Lock.
- Options:  
GK41 (LH) Left Hand / GK41 (RH) Right Hand

**Finish** - Satin Stainless Steel (SSS)  
**Material** - SUS304



(LH) Left hand illustrated

## SGK53 Hook Strike

- To suit SL53 Hook Lock.

**Finish** - Satin Stainless Steel (SSS)  
**Material** - SUS304



## GK50 Centre Strike Box

- To suit US50 Centre Lock.

**Finish** - Satin Stainless Steel (SSS)  
**Material** - SUS304



Our standard fittings are designed to suit glass thicknesses of 10 or 12mm.

# RAILS, TRACKS & FLOOR SPRINGS

## DRMT Top Rail DRMB Bottom Rail

- To suit glass thickness 10/12mm - Please state when ordering.
- Rail length 1000mm as standard.
- Other lengths are available.
- 80mm / 100mm Options available.
- Option to have cylinder lock (additional cost).

**Finish** - Satin Stainless Steel (SSS)  
 - Simulated SS  
 - Mill



Lock option available

## DRMTL Top Rail with Lock DRMBL Bottom Rail with Lock

- To suit glass thickness 10/12mm - Please state when ordering.
- Rail length 1000mm as standard.
- Other lengths are available.
- 80mm / 100mm Options available.

**Finish** - Satin Stainless Steel (SSS)  
 - Simulated SS  
 - Mill



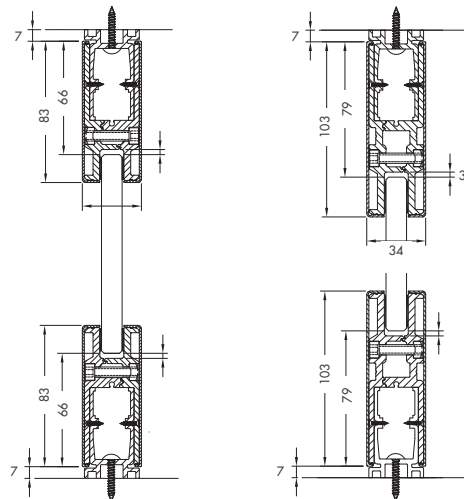
Cylinder not included

Door rails do not require any further rail preparation and are provided with inserts to suit either 15mm dia pivot or TD800 floor spring (or equivalent) or free pivot (PD15) and standard top centres at 70mm pivot point. Other pivot points are available on request.

## DRMFPR Fixed Panel Rail

- Price per 1000mm.
- To suit glass thickness 10/12mm.

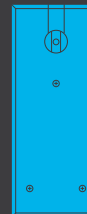
**Finish** - Satin Stainless Steel (SSS)  
 - Simulated SS  
 - Mill



DRM80 Fixed Panel Rails  
80mm

DRM100 Fixed Panel Rails  
100mm

Our standard fittings are designed to suit glass thicknesses of 10 or 12mm.



## TD800 Floor Spring and SSS Coverplate

- To suit doors 650mm to 900mm (Size 3).
- Universal Floor spring.
- Hold Open.
- Adjustable Closing & Latch.
- EN1154 Compliant.

Finish - Satin Stainless Steel (SSS)



## FCM26TR11 Top Track (Satin Anodised) FCM26TR44 Top Track (Simulated SS)

- Fixed panel rail.
- Size 26mm x 26mm.
- Length: 2970mm.



## FCM26MC11 Bottom Track - 2 part (Satin Anodised) FCM26MC44 Bottom Track - 2 part (Simulated SS)

- Fixed panel rail.
- Size 26mm x 26mm.
- Length: 2970mm.



## GKTS010 Clear gasket for 10mm glass GKTS012 Clear gasket for 12mm glass

- Sold per metre.



Thickness:  
10mm or 12mm

Our standard fittings are designed to suit glass thicknesses of 10 or 12mm.

# PATCH FITTINGS

## CL311S Locking Latch

- Horizontal Locking Latch.
- LH02 handles sold separately.
- Latch version also available (CLS311SN).
- C/w Euro profile key cylinder.

**Finish** - Satin Stainless Steel (SSS)  
**Material** - SUS304



## GK311S Strike

- Strike for use with CL311S Locking Latch (above) and CL311SN Latch.

**Finish** - Satin Stainless Steel (SSS)  
**Material** - SUS304



## H01 Door Handle

- Back to Back D Handle.
- Pipe Dia - 32mm Ø.
- Dimension - 425mm centres.

**Finish** - Satin Stainless Steel (SSS)  
**Material** - SUS304



Other handles available

Our standard fittings are designed to suit glass thicknesses of 10 or 12mm.



## HX901-OS Hydraulic Hinge (Wall Mounted)

- Hydraulic offset hinge with 90° hold open.
- Suitable for 10/12mm glass, Max weight 65kg.
- One hinge with hydraulic control and one hinge with spring loaded only.

**Finish** - Satin Stainless Steel (SSS)

**Material** - SUS304



## HX902 Hydraulic Hinge (Glass to Glass)

- Hydraulic hinge glass to glass with 90° hold open.
- Suitable for 10/12mm glass, Max weight 65kg.
- One hinge with hydraulic control and one hinge with spring loaded only.

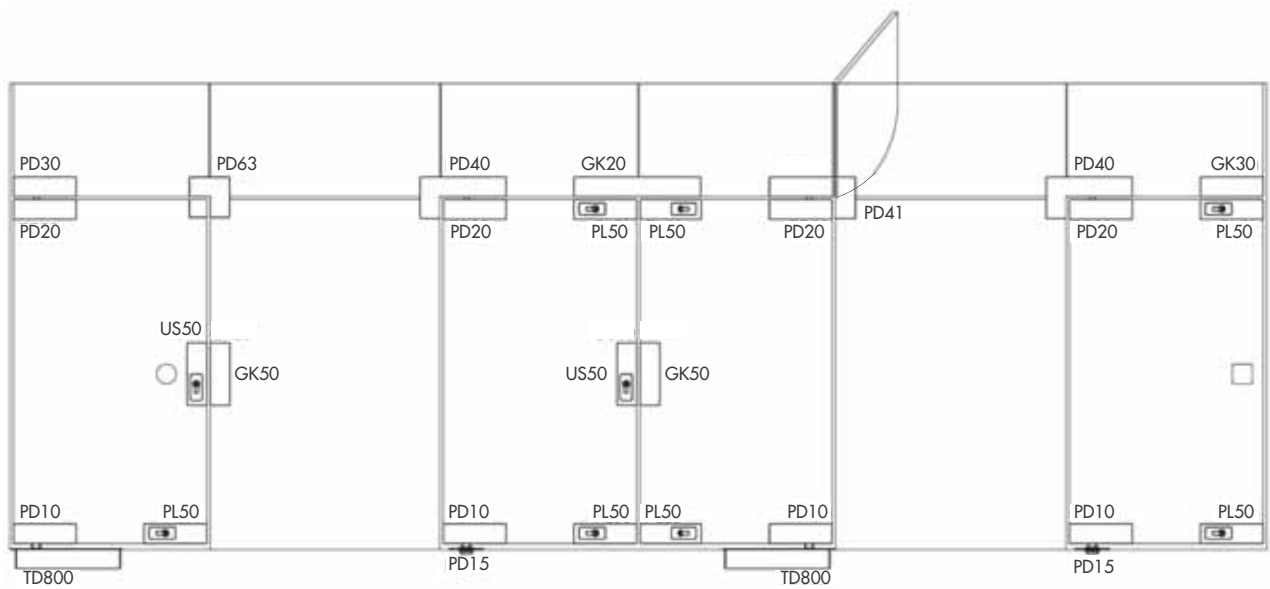
**Finish** - Satin Stainless Steel (SSS)

**Material** - SUS304



Our standard fittings are designed to suit glass thicknesses of 10 or 12mm.

# TYPICAL ASSEMBLIES



# ADDITIONAL RANGES

## WINDOW & DOOR HARDWARE



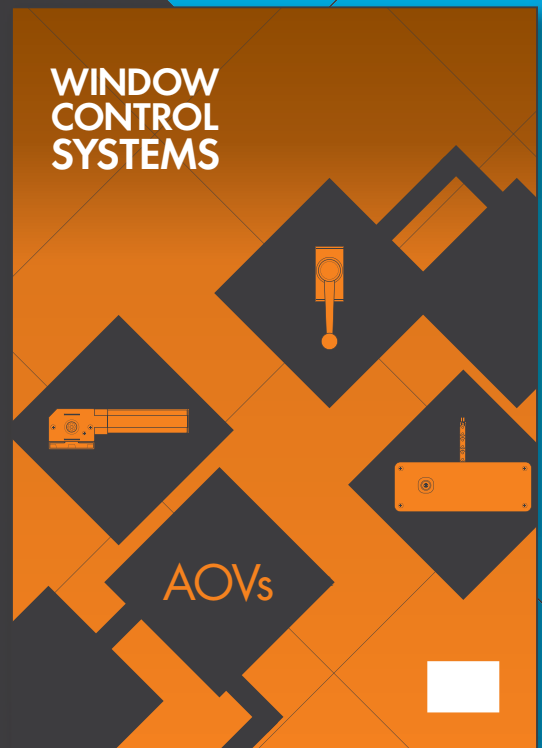
## EMERGENCY EXIT & PANIC HARDWARE

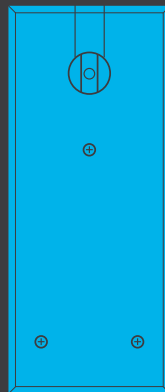


## D-FINE



## WINDOW CONTROL SYSTEMS





3-5 Century Building  
Summers Road,  
Brunswick Business Park  
Liverpool,  
L3 4BL  
T: 0151 707 6858  
E: [enquiries@rbaliverpool.co.uk](mailto:enquiries@rbaliverpool.co.uk)

[www.rbarchitectural.com](http://www.rbarchitectural.com)

**RB** ARCHITECTURAL  
HARDWARE